

THE SMART CHOICE
FOR HEATING AND HOT WATER



RAPID

YEARS OF QUALITY,
INNOVATION AND ECONOMY

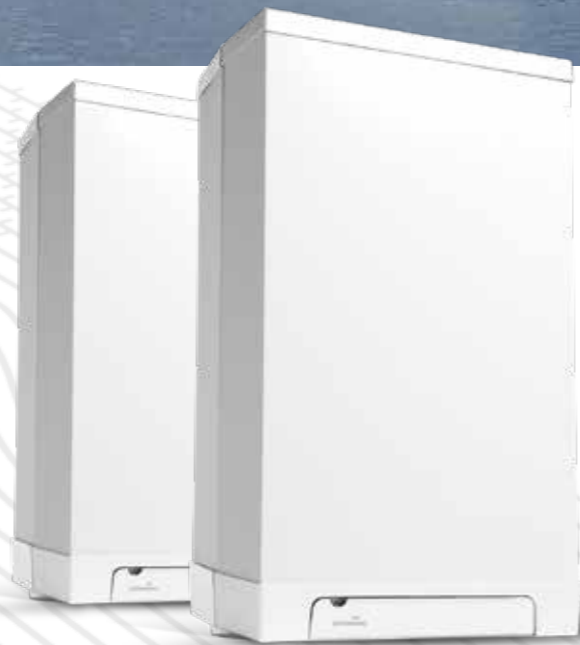
**INNOVATION
PROVEN
OVER TIME**



INTERGAS HEADQUARTERS, THE NETHERLANDS



INTERGAS®
HEATING SOLUTIONS

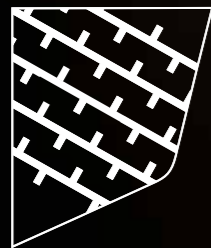


THE GREENER CHOICE FOR HEATING AND HOT WATER

For over 50 years we've been pioneers in home-heating design and, in 1989, developed the ultimate condensing boiler. So simple yet advanced, it remains at the cutting edge of boiler technology today. And it's all thanks to our heat exchanger, which enables our boilers to condense virtually all the time, resulting in lower energy consumption and carbon emissions. The challenge today is to eliminate those emissions, and we're tackling this right now. We're trialling our hydrogen boilers and, when the infrastructure's in place, we'll be ready. The good news is that all our boilers will run on a 20% hydrogen blend, which will be here much sooner, and carbon emissions will immediately be cut by another 20%.

At the moment 75% of UK homes use gas for heating and hot water, so the change to hydrogen will be gradual. What that means is that the gas boiler you choose today should be the one that emits the least atmospheric pollution possible. Welcome to Intergas, the greener choice for heating and hot water.

**GROUND BREAKING
TECHNOLOGY,
INTELLIGENT
DESIGN.**



**BITHERMIC
HEAT
EXCHANGER**

BUILT TO LAST, GUARANTEED TO DELIVER

Is anything built to last these days? Our boilers are because we only use the most robust materials. Take our heat exchanger, it's made entirely of aluminium and copper and is as reliable as they come. So reliable that each one inside our Rapid boiler has a 7-year warranty. But that's not all. Instead of having two separate heat exchangers, like the majority of manufacturers, ours is bithermic which increases the boiler's ability to condense over a longer period of time.

And finally, did you know that one of the biggest causes of boiler breakdown in the UK is a faulty diverter valve? Well, one of the best things about the Rapid combi is that it doesn't have one.

* Warranties subject to terms and conditions of each boiler model.



BETTER FOR THE PLANET



FUTUREPROOF, FLEXIBLE BOILER

If your boiler is perfect for your property now, what about later, when you add an extension, install a shower room, need more radiators? Should your heat and hot water needs change, you won't have to change your Intergas boiler, as each one has built-in flexibility. They can easily be reconfigured from, say, a combi to a system boiler; in fact, our Rapid combis can also be converted to an open vent and open-vent combi, or a multipoint water heater. And, don't forget, when hydrogen becomes available as a 20% blend, carbon emissions will be reduced by another 20%. Just look for the H2GO symbol on our boilers.

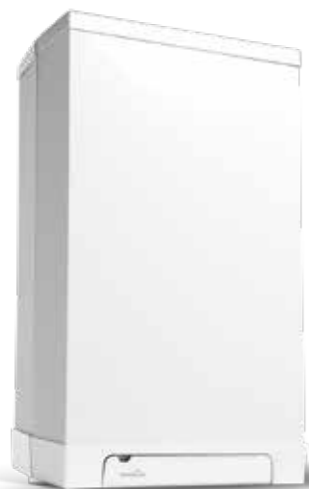
Flexible and futureproof, an Intergas boiler would be an invaluable asset for years.



RAPID
SMART IN EVERY SENSE



**CUTTING-EDGE
ENERGY
EFFICIENCY**



The Rapid combines high efficiency in both hot water and central heating modes too and our combi condenses virtually 100% of the time its producing hot water - an energy-saving feature that's hard to beat. By adding state-of-the-art controls, like the Intergas ComfortTouch OpenTherm thermostat or Wiser Kits, even more energy can be saved, while increasing your comfort.

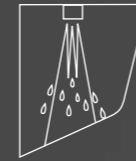
The Rapid is available in two power outputs 25Kw and 32Kw to suit most residential properties. The Rapid can easily be converted to open vent, open-vent combi, system boiler and multipoint water heater by a simple change within the parameter settings.

** Please note, if you live in an apartment that's over 18 metres high, then you can only install a boiler that has a metal flue. The Rapid flue is made from aluminium and steel and was the first high-rise compliant boiler available in the UK when the Building Regulations changed in 2019.*

RAPID & RAPID PLUS 25 32



4 MOVING PARTS



FAST FLOW RATE

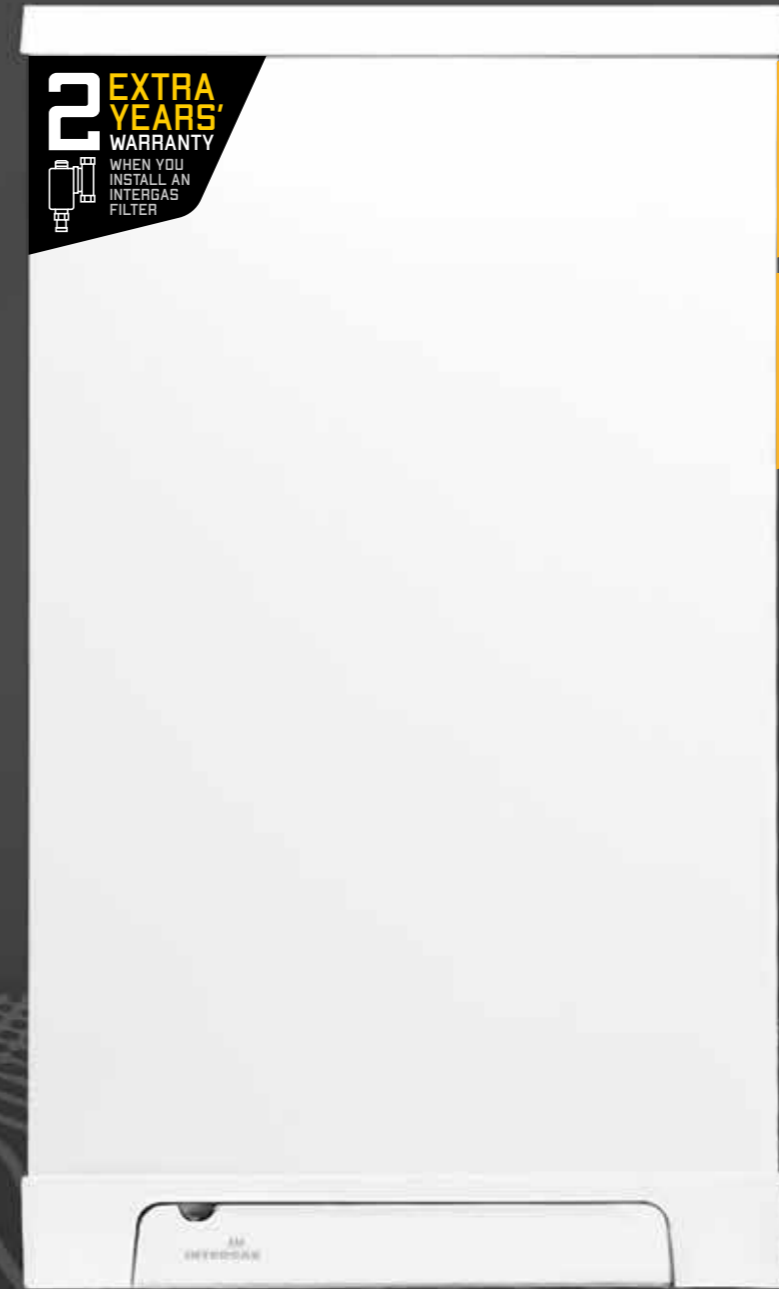


BITHERMIC HEAT EXCHANGER



FROST PROTECTION

2 EXTRA YEARS' WARRANTY
WHEN YOU INSTALL AN INTERGAS FILTER



3 YEAR WARRANTY RAPID

6 YEAR WARRANTY RAPID PLUS

7 YEAR

HEAT EXCHANGER WARRANTY

HIGH EFFICIENCY

CONDENSES VIRTUALLY 100% DURING DHW

H² READY

20% HYDROGEN BLEND READY

Choice of controls



COMFORT TOUCH



WISER KIT ONE



WISER MULTI-ZONE KIT ONE

RAPID & RAPID PLUS

SMART IN EVERY SENSE



Technical features

- > Central flue
- > Up to 10m flueing distance
- > Easy to service and maintain
- > LPG conversion available
- > Built-in programmer
- > Exceptional flow rate
- > Priority domestic hot water (additional set up required)
- > Spacer frame
- > High-rise compliant
- > Combined PRV and condensate

EFFICIENCY RATINGS



Five-in-One boiler

- > Combi
- > Open vent
- > System
- > Open-vent combi
- > Multipoint water heater

RAPID & RAPID PLUS

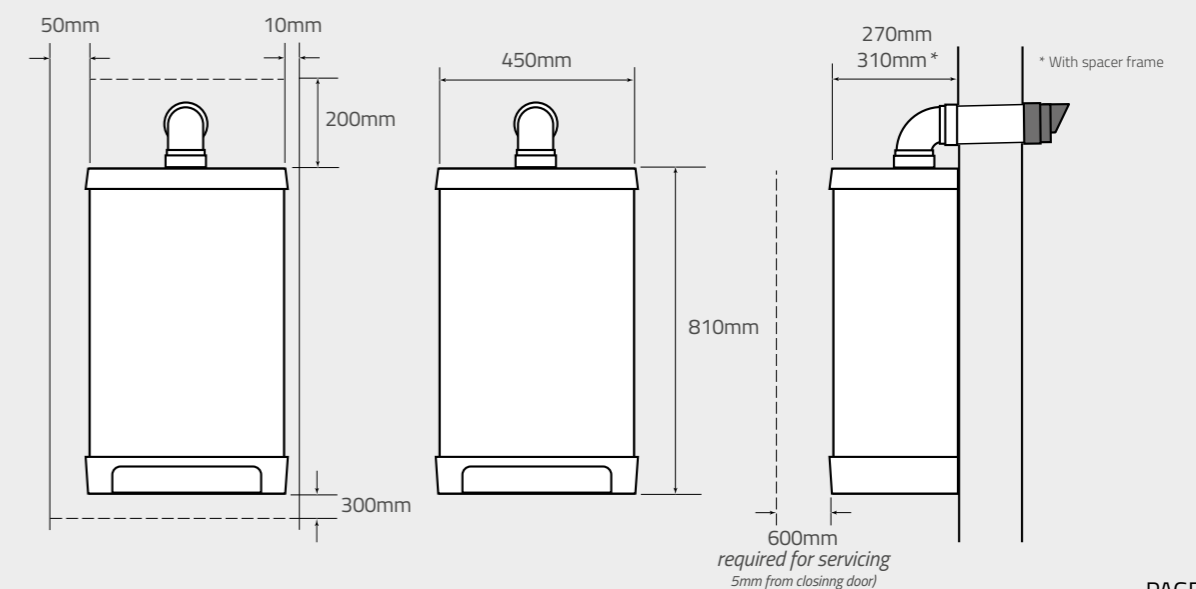
25

32

Heating rated output	kW	25	32
Safety class	IP	IP44	IP44
NOx class		6	6
NOx level	mg/kWh	36.33	46.08
Domestic hot water			
Nom. load input rating	kW	7.1 - 29.1	7.6 - 32.7
Min. DHW flow rate	ltrs/min	1.5	1.5
ΔT 25°C	ltrs/min	16.6	18.7
ΔT 35°C	ltrs/min	11.8	13.3
Domestic hot water temperature (default)	°C	55	55
Load profile		XL	XL
Energy efficiency rating class		A	A
Central heating			
Nom. load (Gross)	kW	7.1 - 25.7	7.6 - 32.7
Nom. load (Net)*	kW	7.1 - 23.15	7.6 - 29.45
Rated power*	kW	7.7 - 25.1	8.2 - 31.9
Max. central heating water pressure	bar	2.5	2.5
Max. central heating water temperature	°C	90	90
Energy efficiency rating class		A	A
Additional data			
Solar compatible		yes	yes
Seasonal heating energy efficiency class		A	A
Heat rated output (power)	P rated kW	25	32
Seasonal heating energy efficiency	η _s %	93	93
Annual energy consumption	Q _{HE} GJ	75	96
Sound power level	L _{WA} dB	50	50
Water heating energy efficiency class		A	A
Water heating energy efficiency	η _{WH} %	87	87
Annual electricity consumption	A _{EC} kWh	20	21
Annual fuel consumption	A _{FC} kWh	4766	4774

* The CH output is factory set to 70% of the maximum capacity.
Technical specifications subject to change.

CLEARANCES & DIMENSIONS



INSTALLER SPARES

FLUES & ACCESSORIES



Vertical Roof Terminal
60/100 (Adaptor NOT included)
086838



MUST BE FITTED WITH A WEATHER SLATE



Horizontal Straight NT Wall Terminal 60/100 (1000mm) **083442**



1000mm Flue Extension (60/100) **086649**



Rear Spacer Frame (Depth 40mm)
093797



Valve Set (Included in the Rapid Boiler)
950417



System Filter & Chemical Pack
090044



System Filter
090897



43-45° Bend ALU 60/100
087616



87-90° Bend ALU 60/100
087617



Vertical Adaptor ALU 60/100
086807



Weather Slate (Pitched Roof)
087910



Weather Slate (Flat Roof)
087372



LPG Conversion Kit Rapid 25
076067

LPG Conversion Kit Rapid 32
076077

PLUME MANAGEMENT



Plume Management Kit (1000mm) **083445**



Plume Management Flue Extension (1000mm)
(including wall clamp) **082055**



PMK 45°
(2 per box)
082056



PMK 90°
082057

All parts in the Rapid boiler are easily accessible as the boiler case is removed from the front and, with the built-in expansion vessel, there is no need to use a jig. Intergas provides a 3-year parts and labour warranty on the Rapid and a 6-year warranty on the Rapid Plus.

*warranties subject to terms and conditions



* Warranties subject to terms and conditions of each boiler model.

ENJOY EXTRA PEACE OF MIND

Intergas System Filter for a healthy central heating system

Debris in the water can severely affect the performance of your central heating system and that's why an in-line filter must be fitted when the boiler is installed. In partnership with Fernox, we have developed the Intergas System Filter and Chemical Pack. The filter, which is made from nickel-plated brass and stainless steel and is 100% recyclable, prevents contaminants from the system entering the boiler. A bottle of Fernox FI Inhibitor and a bottle of Fernox F3 Cleaner complete the pack and, together with the filter, optimise the energy efficiency and longevity of the whole central heating system.

Whether you buy the whole pack or just the system filter, as soon as the filter's fitted and registered, we'll add another two years to the warranty.



BOOK A COURSE
ON OUR WEBSITE



INSTALLER TRAINING & SUPPORT

Keep your career on course

Installing and servicing Intergas boilers can only be undertaken by installers who are registered with Gas Safe and, preferably, those who have taken advantage of our intensive training courses. Training is carried out in our UK-wide, fully equipped specialist centres, and covers every aspect of installation, servicing and maintenance. We take a more hands-on approach to our training which makes each course more practical and effective.

To book your free Intergas training course give us a call on 01527 888000 or visit www.intergasheating.co.uk/installer/support/courses/

Continual Technical Support

Even though our comprehensive training courses will give you all the 'know-how' you'll need, you may still have the odd question further down the line. Rest assured, our on-site Technical Support Team are always on hand to help.



WE'RE ALWAYS THERE FOR YOU

We believe that choosing an Intergas boiler for your heating and hot water is one of the best decisions you can make. It will look after you and your family for years to come. We're always happy to answer any questions you might have; you can Live Chat with a member of our Customer Service Team or simply give us a call on 01527 888000. For more information and to find an Intergas installer in your area, please visit www.intergasheating.co.uk

Opening hours Monday - Friday 8.00am - 5.00pm & Saturday 8.00am - 12.00pm.





INTERGAS SUPPORTS GAS SAFE

The Gas Safe Register is the official UK body for gas safety.

By law only a Gas Safe-registered engineer can install your gas boiler. All Gas Safe-registered engineers must adhere to stringent safety criteria and be up-to-date with the latest industry developments to retain their registration. All Intergas technicians and our recommended installers are Gas Safe-registered.



Tested and approved by Gas Safe Register, the MiREG+ app is designed to help Intergas installers work smarter and faster.

The app simplifies on-site documentation and improves record keeping and compliance. Intergas also pays the Building Regulation notification fee on all Intergas boilers. To benefit, register now on www.myintergasregistration.co.uk



Intergas is a member of Benchmark. This is a nationally recognised scheme that promotes quality in the installation, commissioning and servicing of domestic heating and hot water systems, in line with Part L of the Building Regulations.



INTERGAS®

HEATING SOLUTIONS

Intergas Heating Ltd

Unit 2 Easter Park

Worcester Road

Kidderminster

Worcestershire DY11 7AR

01527 888000

info@intergas-heating.co.uk

WWW.INTERGASHEATING.CO.UK

*The information in this brochure was correct at the time of going to print.
Intergas Heating Solutions reserves the right to make any modifications to
product specifications or any other details, without prior notification.
For further clarification, please enquire in writing to the head office address below.*



Member of the Rheem® family