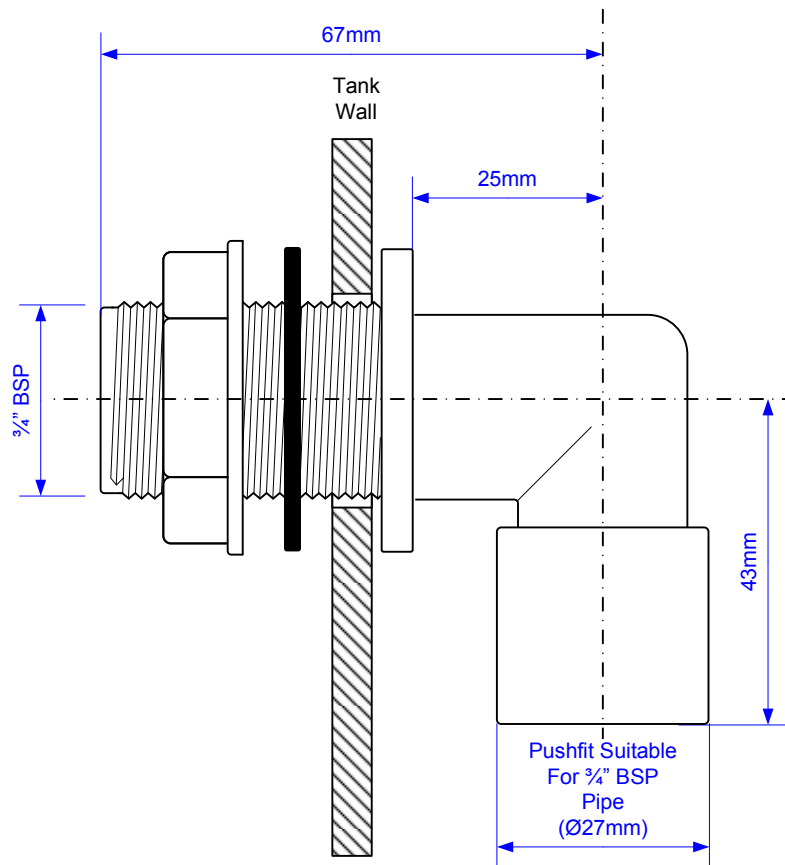


Code:

R5



Drawing verified
correct as of:

03/11/2014
RM

DRAWN BY

RM

REVISED

03/11/2014

FILENAME

R5.VSD

SCALE

1: 1

DATE

03/11/2014