

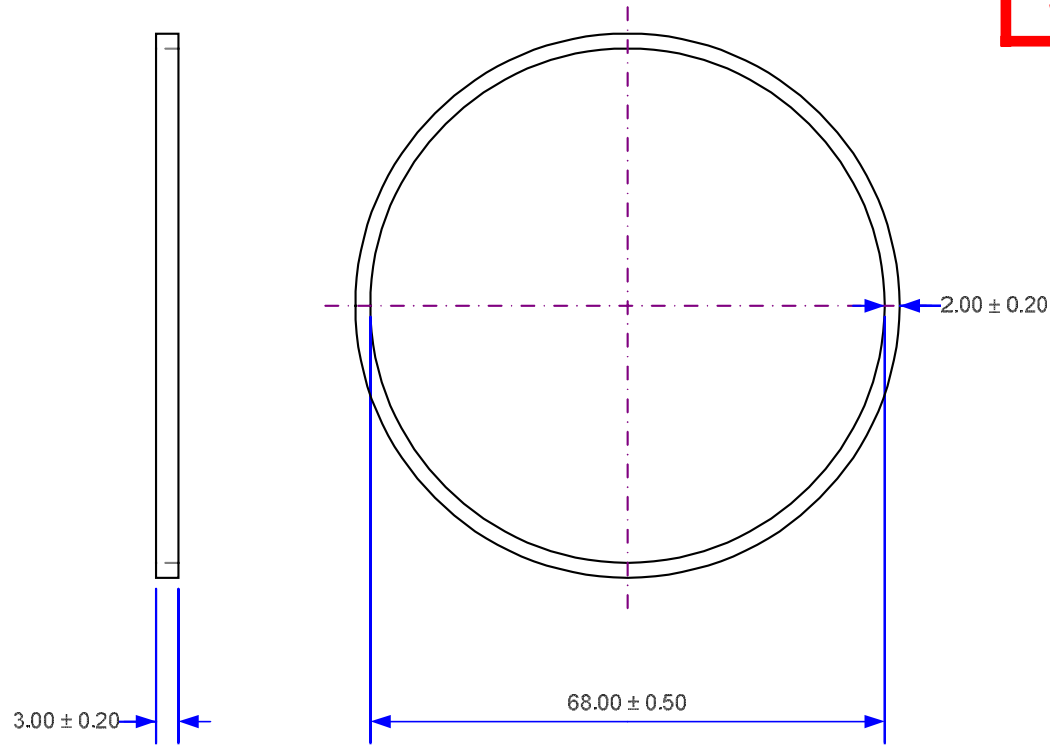
GENERAL NOTES FOR MANUFACTURE

1. MATERIAL TO COMPLY WITH BS 7874

APPROVED

6/7/06

Jim Graham, John Gordon,
Steven Scott, Colin McGurn



ISSUE	DRAWN	C.McG.
	NEW DRAWING	
REV	DRAWN	C.McG.
B	PREV. DWG	3/3/05
	TOLERANCES	UPDATED.

ISSUE CONTROL					DRAWN BY COLIN MCGURN		DIMENSIONS IN MILLIMETERS		DESCRIPTION		
LOC	A	M	P	Q	6/7/06		TOLERANCES		Rubber washer for ST90 shower traps		
H	-	-	-	-	SCALE	FULL	UNLESS STATED		MATERIAL Nitrile $70^\circ \pm 5^\circ$		
J	-	-	-	-	PROJECTION		OTHERWISE		FINISH BLACK		
C	-	-	-	-			X.	+/-	1.00	CODE	P-RW-STW90
TB	-	-	-	-			X.X	+/-	0.50	CATEGORY	SEALS
WR	-	-	-	-			X.XX	+/-	0.10	FILENAME	
-	-	-	-	-							
-	-	-	-	-					P-RW-STW90.VSD		